

Part Number List

(Basic part numbers without optional configurations)

Accumulators: Bottom Repairable

Size/Pressure	3000 psi	4000 psi	5000 psi	6000 psi	6500 psi
1 quart	A1QT3100	***	A1QT5100	***	***
1 gal	A13100	A14100	***	A16100	***
2.5 gal	A2.53100	A2.54100	***	A2.56100	A2.565100
5 gal	A53100	A54100	***	A56100	A565100
10 gal	A103100	A104100	***	A106100	A1065100
11 gal	A113100	***	***	***	***
15 gal	A153100	A154100	***	A156100	A1565100

Accumulators: Top and Bottom Repairable

Size/Pressure	3000 psi	4000 psi	5000 psi	6000 psi	6500 psi
2.5 gal	A2.5TR3100	A2.5TR400	***	A2.5TR6100	A2.5TR65100
5 gal	A5TR3100	A5TR4100	***	A5TR6100	A5TR65100
10 gal	A10TR3100	A10TR4100	***	A10TR6100	A10TR65100
11 gal	A11TR3100	***	***	***	***
15 gal	A15TR3100	A15TR4100	***	A15TR6100	A15TR65100

Bladder Kits

Size/Pressure	3000 psi	5000 psi	6000 psi
1 quart	AI-1QT-3KT	AI-1QT-5-3KT	***
1 gal	AI-1-3KT	AI-1-6-3KT	AI-1-6-3KT
2.5 gal	AI-2.5-3KT	AI-2.5-6-3KT	AI-2.5-6-3KT
5 gal	AI-5-3KT	AI-5-6-3KT	AI-5-6-3KT
10 gal	AI-10-3KT	AI-10-6-3KT	AI-10-6-3KT
11 gal	AI-11-3KT	***	***
15 gal	AI-15-3KT	AI-15-6-3KT	AI-15-6-3KT

AccuMights

Size	3000 psi
6 ci	AM631003
20 ci	AM2031003
30 ci	AM3031003
45 ci	AM4531003
60 ci	AM6031003
90 ci	AM9031003
150 ci	AM15031003

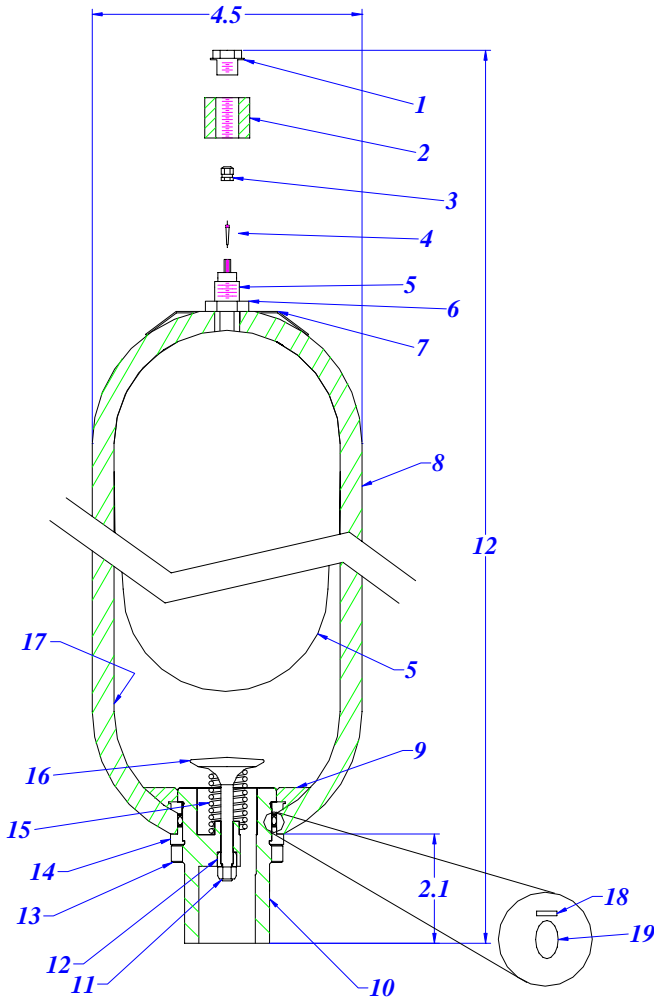
Oil Port Assemblies 3000/5000/6000 psi

Thread/Type	1 quart	1 gal	2.5-15 gal
NPT	AI-1QT-400 AI-1QT-5-400	AI-1-400 AI-1-6-400	AI-S-400 AI-S6-400
SAE (-3)	AI-1QT-400-3 AI-1QT-5-400-3	AI-1-400-3 AI-1-6-400-3	AI-S-400-3 AI-S6-400-3
Split Flange (-4)	AI-1QT-400-4 AI-1QT-5-400-4	AI-1-400-4 AI-1-6-400-4	AI-S-400-4 AI-S6-400-4



See the Assembly Drawings and Price List for a more complete listing of options for materials, elastomers, thread types, coatings, configurations and other options.

1 Quart 3000 psi Bottom Repairable Accumulators



List of Component Parts		Alternate Service ¹		
Description	Part Number (OS)	WS	SS	XS
1 Safety Cap	AI-1QT-308		N/A ²	N/A ²
1 Safety Cap O-Ring	AI-1QT-309		N/A ²	N/A ²
2 Protective Cap	AI-1QT-306	-SS	-4SS	-4SS
3 Valve Cap	AI-1QT-303			
4 Valve Core	AI-S-304			
5 Bladder Kit ³				
Buna-Nitrile	AI-1QT-3KT		-SS	-SS
Butyl	AI-1QT-3KT-B		-SS	-SS
EPR	AI-1QT-3KT-E		-SS	-SS
Fluorocarbon	AI-1QT-3KT-V		-SS	-SS
Hydrin	AI-1QT-3KT-H		-SS	-SS
Low Temp Buna	AI-1QT-3KT-L		-SS	-SS
6 Hex Jam Nut	AI-1QT-305	-SS	-SS	-SS
7 Name Plate	AI-1QT-413			
8 Caution Label	AI-1QT-414			
8 Information Label	AI-1QT-421			
9 Anti-Extrusion Ring				
Buna-Nitrile	AI-1QT-407	-WS	-WS	-WS
EPDM	AI-1QT-407-E	-WS	-WS	-WS
Fluorocarbon	AI-1QT-407-V	-WS	-WS	-WS
10 Oil Port ⁴	AI-1QT-402	-WS	-SS	-SS
11 Stop Nut	AI-1QT-408	-SS	-SS	-SS
12 Piston	AI-1QT-405	-SS	-SS	-SS
13 Locknut	AI-1QT-403	-WS	-SS	-SS
14 Spacer	AI-1QT-406	-WS	-SS	-SS
15 Spring	AI-1QT-409	-SS	-SS	-SS
16 Poppet	AI-1QT-404	-SS	-SS	-SS
17 Shell (3000 psi)	Not for Sale	N/A	N/A	N/A
18 Metal Back-Up Ring	AI-1QT-412	-SS	-SS	-SS
19 O-Ring				
Buna-Nitrile	AI-1QT-410			
Butyl	AI-1QT-410-B			
EPR	AI-1QT-410-E			
Fluorocarbon	AI-1QT-410-V			

Standard Configuration

SA 372 Chrome-moly Steel Shell
 C-1018 and 4130 or 4140 Components
³/₄" NPT Female Fluid Port
 Buna-Nitrile Rubber Components

Optional Configuration (at extra cost)

AN Gas Valve
 Resin Coatings, Internal (WS)
 Electroless Nickel Plating, Internal & External (SS)
 Resin Coating – ID, 3 Part Marine Epoxy Paint – OD (XS)
 Stainless Steel Components
 Foreign and Domestic Codes
 Call Factory for Other Options

Dimensions ⁵	
Part Number	Weight
AIQT3100	9.5 lbs

Oil Port Options	
Fluid Port Type	Designation
³ / ₄ " NPT Female	None
Metric Female	-2
1 ¹ / ₁₆ "-12 SAE Female	-3
Code 61, ³ / ₄ " SAE Split Flange	.4
BSP Female	-7
Other	Call
Special Materials	Call

¹ OS-Oil Service, WS- Water Service, SS-Special Service, XS-Extreme Service

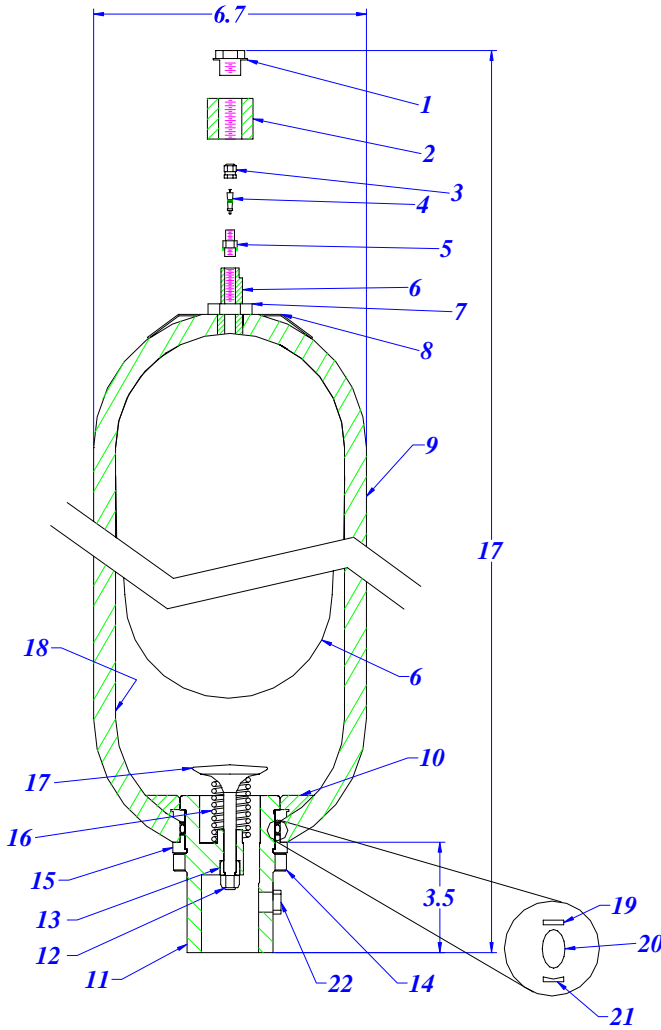
² Special service accumulator uses a solid protective cap

³ Bladder kit consists of the following parts: 3, 4, 5, 18, and 19

⁴ See Oil Port Configuration for options

⁵ Nominal dimensions. Manufacturing variations will occur. Allow ⁺/₂".

1 Gallon 3000 psi Bottom Repairable Accumulators



List of Component Parts		Alternate Service ¹			
Description	Part Number (OS)	WS	SS	XS	
1	Safety Cap	AI-S-308		N/A ²	N/A ²
1	Safety Cap O-Ring	AI-S-309		N/A ²	N/A ²
2	Protective Cap	AI-306	-SS	-4SS	-4SS
3	Valve Cap	AI-S-303			
4	Valve Core	AI-S-304			
5	GT Gas Valve	AI-GT3-309			
5	Gas Valve O-Ring	AI-GT3-311			
6	Bladder Kit ³				
	Buna-Nitrile	AI-1-3KT		-SS	-SS
	Butyl	AI-1-3KT-B		-SS	-SS
	EPR	AI-1-3KT-E		-SS	-SS
	Fluorocarbon	AI-1-3KT-V		-SS	-SS
	Hydrin	AI-1-3KT-H		-SS	-SS
	Low Temp Buna	AI-1-3KT-L		-SS	-SS
7	Hex Jam Nut	AI-S-305	-SS	-SS	-SS
8	Name Plate	AI-S-413			
9	Caution Label	AI-S-421			
10	Anti-Extrusion Ring				
	Buna-Nitrile	AI-1-407	-WS	-WS	-WS
	EPDM	AI-1-407-E	-WS	-WS	-WS
	Fluorocarbon	AI-1-407-V	-WS	-WS	-WS
11	Oil Port ⁴	AI-1-402	-WS	-SS	-SS
12	Stop Nut	AI-1-408	-SS	-SS	-SS
13	Piston	AI-1-405	-SS	-SS	-SS
14	Locknut	AI-1-403	-WS	-SS	-SS
15	Spacer	AI-1-406	-WS	-SS	-SS
16	Spring	AI-1-409	-SS	-SS	-SS
17	Poppet	AI-1-404	-SS	-SS	-SS
18	Shell	Not for Sale	N/A	N/A	N/A
19	Metal Back-Up Ring	AI-1-412	-SS	-SS	-SS
20	O-Ring				
	Buna-Nitrile	AI-1-410			
	EPDM	AI-1-410-E			
	Fluorocarbon	AI-1-410-V			
21	Rubber Back-Up Ring	AI-1-411			
22	Bleed Plug				
	1/4" NPT	AI-S-418	-SS	-SS	-SS
	7/16"-20 SAE	AI-S-419	-SS	-SS	-SS

Standard Configuration

SA 372 Chrome-moly Steel Shell
 C-1018 and 4130 or 4140 Components
 1 1/4" NPT Female Fluid Port
 Buna-Nitrile Rubber Components

Optional Configuration (at extra cost)

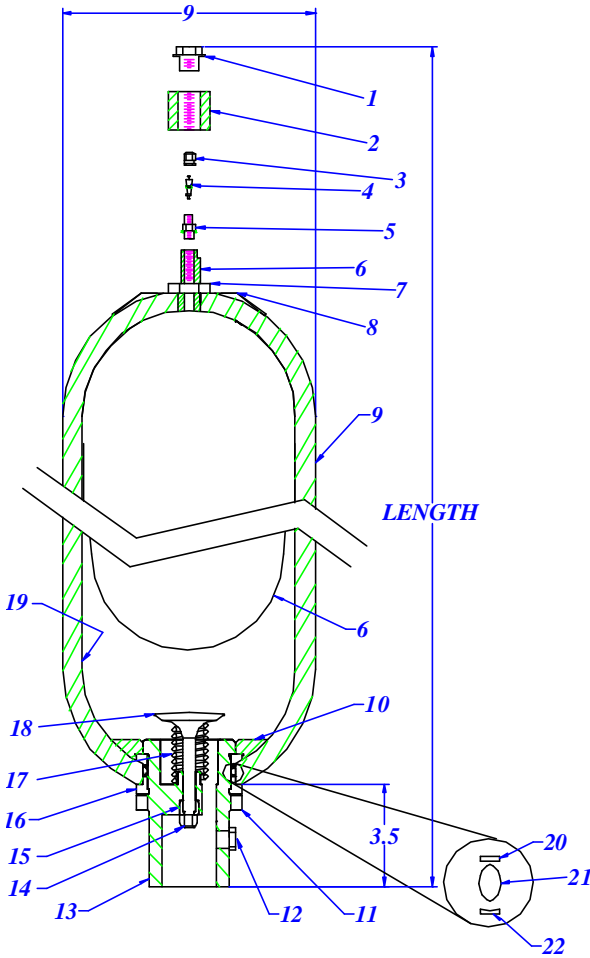
AN Gas Valve
 Resin Coatings, Internal (WS)
 Electroless Nickel Plating, Internal & External (SS)
 Resin Coating – ID, 3 Part Marine Epoxy Paint – OD (XS)
 Stainless Steel Components
 Foreign and Domestic Codes
 Call Factory for Other Options

Dimensions ⁵	
Part Number	Weight
A13100	32 lbs

Oil Port Options	
Fluid Port Type	Designation
1 1/4" NPT Female	None
Metric Female	-2
1 3/8"-12 SAE Female	-3
Code 61, 1 1/2" SAE Split Flange	-4
BSP Female	-7
Other	Call
Special Materials	Call

1 OS-Oil Service, WS- Water Service, SS-Special Service, XS-Extreme Service
 2 Special service accumulator uses a solid protective cap
 3 Bladder kit consists of the following parts: 3, 4, 5, 6, 19, 20, and 21
 4 See Oil Port Configuration for options
 5 Nominal dimensions. Manufacturing variations will occur. Allow +/- .2".

2.5-15 Gallon 3000 psi Bottom Repairable Accumulators



List of Component Parts		Alternate Service ¹			
Description	Part Number (OS)	WS	SS	XS	
1	Safety Cap	AI-S-308		N/A ²	N/A ²
1	Safety Cap O-Ring	AI-S-309		N/A ²	N/A ²
2	Protective Cap	AI-S-306	-SS	-4SS	-4SS
3	Valve Cap	AI-S-303			
4	Valve Core	AI-S-304			
5	GT Gas Valve	AI-GT3-309			
5	Gas Valve O-Ring	AI-GT3-311			
6	Bladder Kit ³				
	Buna-Nitrile	AI-X-3KT	-SS	-SS	
	Butyl	AI-X-3KT-B	-SS	-SS	
	EPR	AI-X-3KT-E	-SS	-SS	
	Fluorocarbon	AI-X-3KT-V	-SS	-SS	
	Hydrin	AI-X-3KT-H	-SS	-SS	
	Low Temp Buna	AI-X-3KT-L	-SS	-SS	
7	Hex Jam Nut	AI-S-305	-SS	-SS	-SS
8	Name Plate	AI-S-413			
9	Caution Label	AI-S-421			
10	Anti-Extrusion Ring				
	Buna-Nitrile	AI-S-407	-WS	-WS	-WS
	EPDM	AI-S-407-E	-WS	-WS	-WS
	Fluorocarbon	AI-S-407-V	-WS	-WS	-WS
11	Locknut	AI-S-403	-WS	-SS	-SS
12	Bleed Plug				
	1/4" NPT	AI-S-418	-SS	-SS	-SS
	1/16"-20 SAE	AI-S-419	-SS	-SS	-SS
13	Oil Port ⁴	AI-S3-402	-WS	-SS	-SS
14	Stop Nut	AI-S-408	-SS	-SS	-SS
15	Piston	AI-S-405	-SS	-SS	-SS
16	Spacer	AI-S3-406	-WS	-SS	-SS
17	Spring	AI-S3-409	-SS	-SS	-SS
18	Poppet	AI-S-404	-SS	-SS	-SS
19	Shell (3000 psi)	Not for Sale	N/A	N/A	N/A
20	Metal Back-Up Ring	AI-S-412	-SS	-SS	-SS
21	O-Ring				
	Buna-Nitrile	AI-S-410			
	EPDM	AI-S-410-E			
	Fluorocarbon	AI-S-410-V			
22	Rubber Back-Up Ring	AI-S-411			

Standard Configuration

SA 372 Chrome-moly Steel Shell
 2 Piece Replaceable Gas Valve
 C-1018 and 4130 or 4140 Components
 2" NPT Female Fluid Port
 Buna-Nitrile Rubber Components

Optional Configuration (at extra cost)

AN Gas Valve
 Resin Coatings, Internal (WS)
 Electroless Nickel Plating, Internal & External (SS)
 Resin Coating – ID, 3 Part Marine Epoxy Paint – OD (XS)
 Stainless Steel Components
 Foreign and Domestic Codes
 Call Factory for Other Options

Dimensions⁵

Part Number	Length	Weight
A2.53100	21"	76 lbs
A53100	33"	116 lbs
A103100	54"	212 lbs
A113100	60"	230 lbs
A153100	78"	296 lbs

Oil Port Options

Fluid Port Type	Designation
2" NPT Female	None
1 1/4" NPT Female	-1
Metric Female	-2
1 1/8"-12 SAE Female	-3
Code 61, 2" SAE Split Flange	-4
Other	Call
Special Materials	Call

¹ OS-Oil Service, WS- Water Service, SS-Special Service, XS-Extreme Service

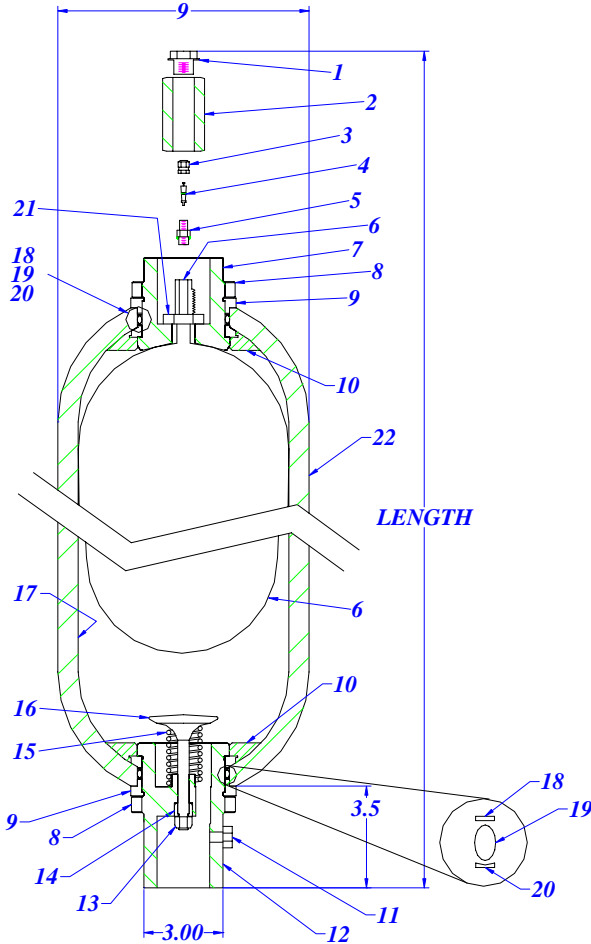
² Special service accumulator uses a solid protective cap

³ Insert the size of the accumulator for X, i.e. AI-2.5-3KT for a 2.5-gallon bladder kit. Bladder kit consists of the following parts: 3, 4, 5, 6, 20, 21, and 22

⁴ See Oil Port Configuration for options

⁵ Nominal dimensions. Manufacturing variations will occur. Allow +/- 1/2".

2.5-15 Gallon 3000 psi Top Repairable Accumulators



List of Component Parts		Alternate Service ¹			
Description	Part Number (OS)	WS	SS	XS	
1	Safety Cap	AI-S-308		N/A ²	N/A ²
1	Safety Cap O-Ring	AI-S-309		N/A ²	N/A ²
2	Protective Cap	AI-S-306	-SS	-4SS	-4SS
3	Valve Cap	AI-S-303			
4	Valve Core	AI-S-304			
5	GT Gas Valve	AI-GT3-309			
5	Gas Valve O-Ring	AI-GT3-311			
6	Bladder Kit ³				
	Buna Nitrile	AI-X-3KT	-SS	-SS	
	Butyl	AI-X-3KT-B	-SS	-SS	
	EPR	AI-X-3KT-E	-SS	-SS	
	Fluorocarbon	AI-X-3KT-V	-SS	-SS	
	Hydrin	AI-X-3KT-H	-SS	-SS	
	Low Temp Buna	AI-X-3KT-L	-SS	-SS	
7	Top Load Adapter	AI-TR3-208	-WS	-SS	-SS
8	Locknut, Qty 2	AI-S-403	-WS	-SS	-SS
9	Spacer, Qty 2	AI-S3-406	-WS	-SS	-SS
10	Anti-Extrusion Ring, Qty 2				
	Buna-Nitrile	AI-S-407	-WS	-WS	-WS
	EPDM	AI-S-407-E	-WS	-WS	-WS
	Fluorocarbon	AI-S-407-V	-WS	-WS	-WS
11	Bleed Plug				
	^{1/2} " NPT	AI-S-418	-SS	-SS	-SS
	^{7/16} "-20 SAE	AI-S-419	-SS	-SS	-SS
12	Oil Port ⁴	AI-S3-402	-WS	-SS	-SS
13	Stop Nut	AI-S-408	-SS	-SS	-SS
14	Piston	AI-S-405	-SS	-SS	-SS
15	Spring	AI-S-409	-SS	-SS	-SS
16	Poppet	AI-S-404	-SS	-SS	-SS
17	Shell (3000 psi)	Not for Sale	N/A	N/A	N/A
18	Metal Back-Up Ring, QTY 2	AI-S-412	-SS	-SS	-SS
	O-Ring, Qty 2				
	Buna-Nitrile	AI-S-410			
	Butyl	AI-S-410-B			
	EPR	AI-S-410-E			
19	Fluorocarbon	AI-S-410-V			
20	Rubber Back-Up Ring, Qty 2	AI-S-411			
21	Hex Jam Nut	AI-S-305	-SS	-SS	-SS
22	Caution Label	AI-S-421			

Standard Configuration

- SA 372 Chrome-moly Steel Shell
- 2 Piece Replaceable Gas Valve
- C-1018 and 4130 or 4140 Components
- 2" NPT Female Fluid Port
- Buna-Nitrile Rubber Components

Optional Configuration (at extra cost)

- AN Gas Valve
- Resin Coatings, Internal (WS)
- Electroless Nickel Plating, Internal & External (SS)
- Resin Coating – ID, 3 Part Marine Epoxy Paint – OD (XS)
- Stainless Steel Components
- Foreign and Domestic Codes
- Call Factory for Other Options

Dimensions⁵

Part Number	Length	Weight
A2.5TR3100	21"	78 lbs
A5TR3100	33"	118 lbs
A10TR3100	54"	214 lbs
A11TR3100	60"	232 lbs
A15TR3100	78"	298 lbs

Oil Port Options

Fluid Port Type	Designation
2" NPT Female	None
1 1/4" NPT Female	-1
Metric Female	-2
1 7/8" -12 SAE Female	-3
Code 61, 2" SAE Split Flange	-4
Other	Call
Special Materials	Call

¹ OS-Oil Service, WS- Water Service, SS-Special Service, XS-Extreme Service

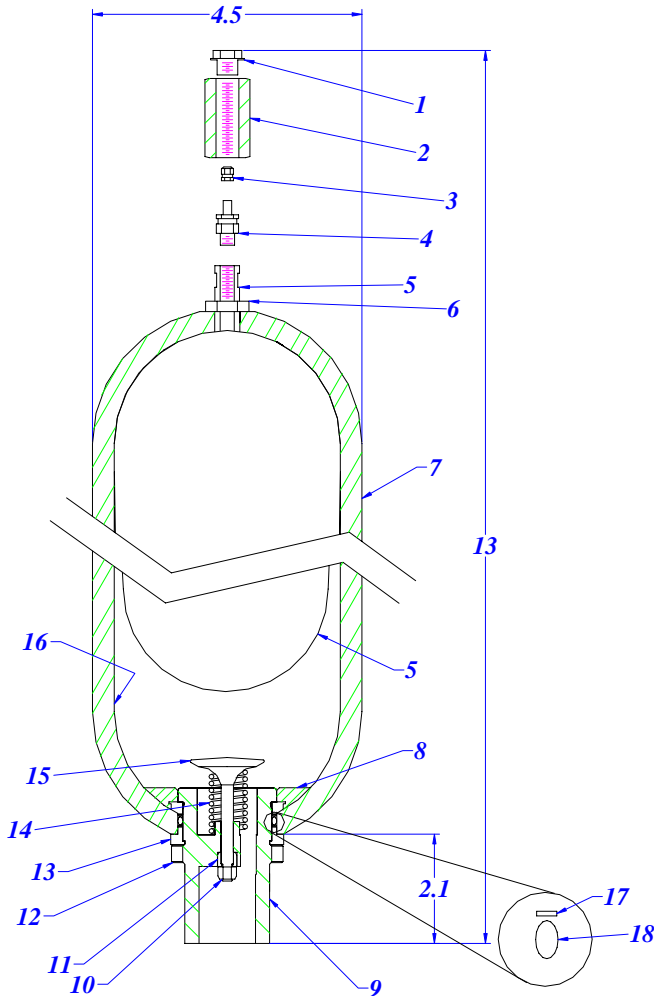
² Special service accumulator uses a solid protective cap

³ Insert the size of the accumulator for X, i.e. AI-2.5-3KT for a 2.5 gallon bladder kit. Bladder kit consists of the following parts: 3, 4, 5, 6, 18, 19, and 20

⁴ See Oil Port Configuration for options

⁵ Nominal dimensions. Manufacturing variations will occur. Allow +/- .2".

1 Quart 5000 psi Bottom Repairable Accumulators



List of Component Parts		Alternate Service ¹			
Description	Part Number (OS)	WS	SS	XS	
1	Safety Cap	AI-S-308		N/A ²	N/A ²
1	Safety Cap O-Ring	AI-S-309		N/A ²	N/A ²
2	Protective Cap	AI-306-1	-SS	-2SS	-2SS
3	Valve cap	AI-S-303			
4	Gas Valve	AI-S5-309			
4	High Pressure Gas Valve O-Ring	AI-S6-310			
5	Bladder Kit ³				
	Buna-Nitrile	AI-1QT-5-3KT		-SS	-SS
	Butyl	AI-1QT-5-3KT-B		-SS	-SS
	EPR	AI-1QT-5-3KT-E		-SS	-SS
	Fluorocarbon	AI-1QT-5-3KT-V		-SS	-SS
	Hydrin	AI-1QT-5-3KT-H		-SS	-SS
	Low Temp Buna	AI-1QT-5-3KT-L		-SS	-SS
6	Hex Jam Nut	AI-S-305	-SS	-SS	-SS
7	Caution Label	AI-1QT-414			
7	Info Label	AI-1QT-421			
8	Anti-Extrusion Ring				
	Buna-Nitrile	AI-1QT-407	-WS	-WS	-WS
	EPDM	AI-1QT-407-E	-WS	-WS	-WS
	Fluorocarbon	AI-1QT-407-V	-WS	-WS	-WS
9	Oil Port ⁴	AI-1QT-402	-WS	-SS	-SS
10	Stop Nut	AI-1QT-408	-SS	-SS	-SS
11	Piston	AI-1QT-405	-SS	-SS	-SS
12	Locknut	AI-1QT-403	-WS	-SS	-SS
13	Spacer	AI-1QT-406	-WS	-SS	-SS
14	Spring	AI-1QT-409	-SS	-SS	-SS
15	Poppet	AI-1QT-404	-SS	-SS	-SS
16	Shell (5000 psi)	Not for Sale	N/A	N/A	N/A
17	Metal Back-Up Ring	AI-1QT-412	-SS	-SS	-SS
18	O-Ring				
	Buna-Nitrile	AI-1QT-410			
	EPDM	AI-1QT-410-E			
	Fluorocarbon	AI-1QT-410-V			

Standard Configuration

SA 372 Chrome-moly Steel Shell
 C-1018 and 4130 or 4140 Components
³/₄" NPT Female Fluid Port
 Buna-Nitrile Rubber Components

Optional Configuration (at extra cost)

Resin Coatings, Internal (WS)
 Electroless Nickel Plating, Internal & External (SS)
 Resin Coating – ID, 3 Part Marine Epoxy Paint – OD (XS)
 Stainless Steel Components
 Foreign and Domestic Codes
 Call Factory for Other Options

Dimensions ⁵	
Part Number	Weight
AIQT5100	9.5 lbs

Oil Port Options	
Fluid Port Type	Designation
³ / ₄ " NPT Female	None
Metric Female	-2
1 ¹ / ₁₆ "-12 SAE Female	-3
Code 62, ³ / ₄ " SAE Split Flange	-4
BSP Female	-7
Other	Call
Special Materials	Call

¹ OS-Oil Service, WS- Water Service, SS-Special Service, XS-Extreme Service

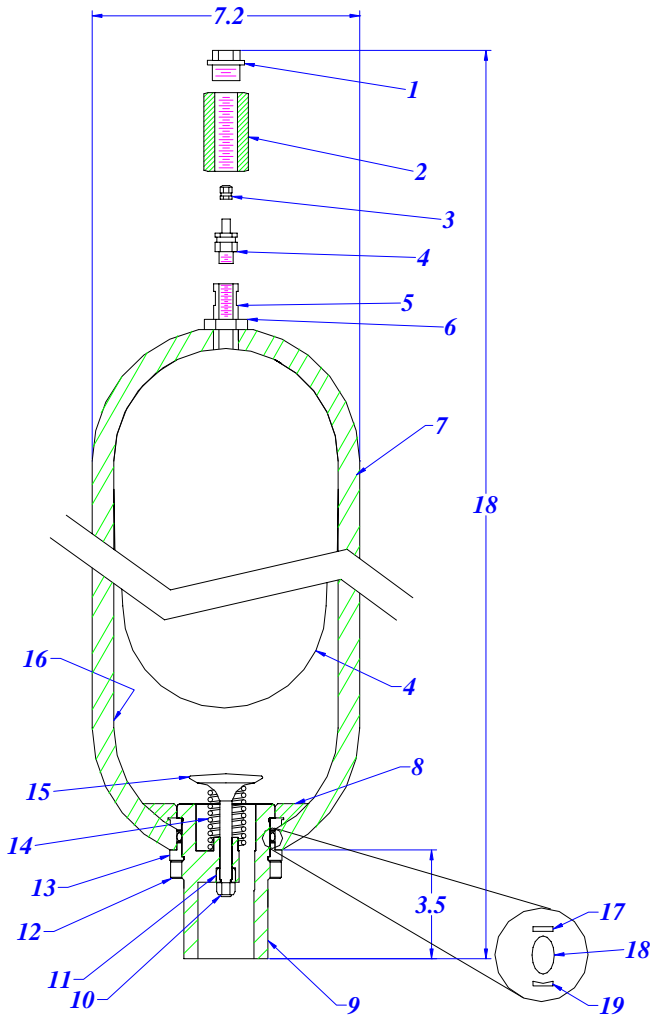
² Special service accumulator uses a solid protective cap

³ Bladder kit consists of the following parts: 3, 4, 5, 17, and 18

⁴ See Oil Port Configuration for options

⁵ Nominal dimensions. Manufacturing variations will occur. Allow ⁺/₂".

1 Gallon 6000 psi Bottom Repairable Accumulator



List of Component Parts		Alternate Service ¹			
Description	Part Number (OS)	WS	SS	XS	
1	Safety Cap	AI-S-308		N/A ²	N/A ²
1	Safety Cap O-Ring	AI-S-309		N/A ²	N/A ²
2	Protective Cap	AI-306	-SS	-2SS	-2SS
3	Valve cap	AI-S-303			
4	Gas Valve	AI-S6-309			
4	High Pressure Gas Valve O-Ring	AI-S6-310			
5	Bladder Kit ³				
	Buna-Nitrile	AI-1-6-3KT		-SS	-SS
	Butyl	AI-1-6-3KT-B		-SS	-SS
	EPR	AI-1-6-3KT-E		-SS	-SS
	Fluorocarbon	AI-1-6-3KT-V		-SS	-SS
	Hydrin	AI-1-6-3KT-H		-SS	-SS
	Low Temp Buna	AI-1-6-3KT-L		-SS	-SS
6	Hex Jam Nut	AI-S-305	-SS	-SS	-SS
7	Info Label	AI-S-421			
8	Anti-Extrusion Ring				
	Buna-Nitrile	AI-1-6-407	-WS	-WS	-WS
	EPDM	AI-1-6-407-E	-WS	-WS	-WS
	Fluorocarbon	AI-1-6-407-V	-WS	-WS	-WS
9	Oil Port ⁴	AI-1-6-402	-WS	-SS	-SS
10	Stop Nut	AI-1-408	-SS	-SS	-SS
11	Piston	AI-1-405	-SS	-SS	-SS
12	Locknut	AI-1-6-403	-WS	-SS	-SS
13	Spacer	AI-1-406	-WS	-SS	-SS
14	Spring	AI-1-409	-SS	-SS	-SS
15	Poppet	AI-1-404	-SS	-SS	-SS
16	Shell (5000 psi)	Not for Sale	N/A	N/A	N/A
17	Metal Back-Up Ring	AI-1-412	-SS	-SS	-SS
18	O-Ring				
	Buna-Nitrile	AI-1-410			
	EPDM	AI-1-410-E			
	Fluorocarbon	AI-1-410-V			
19	Rubber O-Ring	AI-1-411			

Standard Configuration

SA 372 Chrome-moly Steel Shell
 C-1018 and 4130 or 4140 Components
 1 1/4" NPT Female Fluid Port
 Buna-Nitrile Rubber Components

Optional Configuration (at extra cost)

Resin Coatings, Internal (WS)
 Electroless Nickel Plating, Internal & External (SS)
 Resin Coating – ID, 3 Part Marine Epoxy Paint – OD (XS)
 Stainless Steel Components
 Foreign and Domestic Codes
 Call Factory for Other Options

Dimensions ⁵	
Part Number	Weight
A16100	36 lbs

Oil Port Options	
Fluid Port Type	Designation
1 1/4" NPT Female	None
Metric Female	-2
1 3/8"-12 SAE Female	-3
Code 62, 1 1/4" SAE Split Flange	-4
BSP Female	-7
Other	Call
Special Materials	Call

¹ OS-Oil Service, WS- Water Service, SS-Special Service, XS-Extreme Service

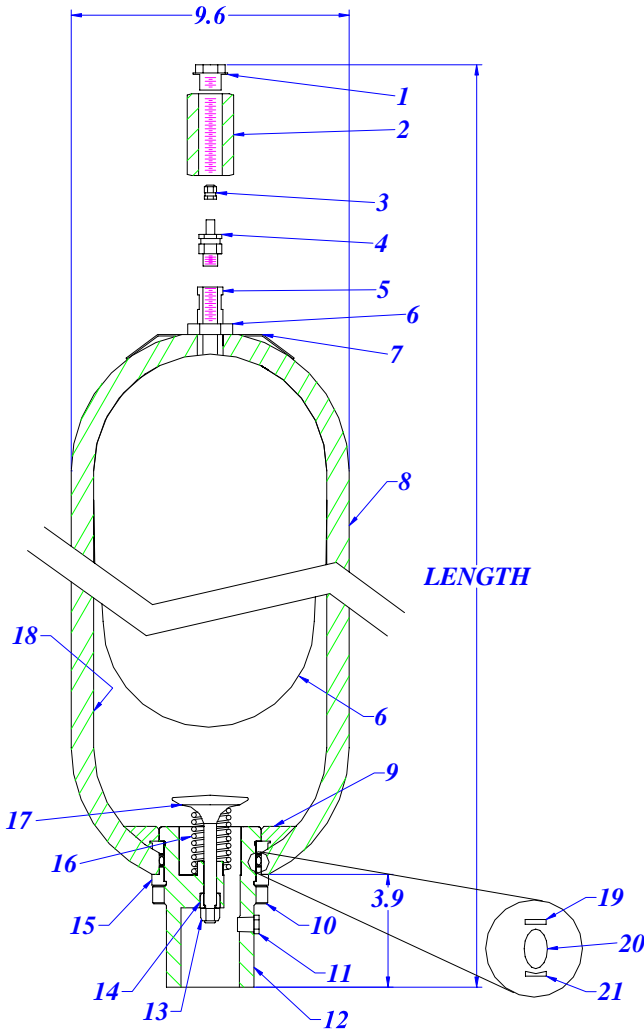
² Special service accumulator uses a solid protective cap

³ Bladder kit consists of the following parts: 3, 4, 5, 17, 18, and 19

⁴ See Oil Port Configuration for options

⁵ Nominal dimensions. Manufacturing variations will occur. Allow +/-2".

2.5-15 Gallon 6000 psi Bottom Repairable Accumulators



List of Component Parts		Alternate Service ¹		
Description	Part Number (OS)	WS	SS	XS
1 Safety Cap	AI-S-308			
1 Safety Cap O-Ring	AI-S-309		N/A ²	N/A ²
2 Protective Cap	AI-306-1	-SS	-4SS	-4SS
3 Valve Cap	AI-S-303			
4 High Pressure Gas Valve	AI-S6-309			
4 High Pressure Gas Valve O-Ring	AI-S6-310			
5 Bladder Kit ³				
Buna-Nitrile	AI-X-6-3KT		-SS	-SS
Butyl	AI-X-6-3KT-B		-SS	-SS
EPR	AI-X-6-3KT-E		-SS	-SS
Fluorocarbon	AI-X-6-3KT-V		-SS	-SS
Hydrin	AI-X-6-3KT-H		-SS	-SS
Low Temp Buna	AI-X-6-3KT-L		-SS	-SS
6 Hex Jam Nut	AI-S-305	-SS	-SS	-SS
7 Name Plate	AI-S-413			
8 Caution Label	AI-S-421			
9 Anti-Extrusion Ring				
Buna-Nitrile	AI-S-407	-WS	-WS	-WS
EPDM	AI-S-407-E	-WS	-WS	-WS
Fluorocarbon	AI-S-407-V	-WS	-WS	-WS
10 Locknut	AI-S-403	-WS	-SS	-SS
11 Bleed Plug				
1/4" NPT	AI-S-418	-SS	-SS	-SS
7/16"-20 SAE	AI-S-419	-SS	-SS	-SS
12 Oil Port ⁴	AI-S6-402	-WS	-SS	-SS
13 Stop Nut	AI-S-408	-SS	-SS	-SS
14 Piston	AI-S-405	-SS	-SS	-SS
15 Spacer	AI-S6-406	-WS	-SS	-SS
16 Spring	AI-S6-409	-SS	-SS	-SS
17 Poppet	AI-S-404	-SS	-SS	-SS
18 Shell (6000 psi under App. 22)	Not for Sale	N/A	N/A	N/A
19 Metal Back-Up Ring	AI-S-412	-SS	-SS	-SS
20 O-Ring				
Buna-Nitrile	AI-S-410			
EPDM	AI-S-410-E			
Fluorocarbon	AI-S-410-V			
21 Rubber Back-Up Ring	AI-S-411			

Standard Configuration

- SA 372 Chrome-moly Steel Shell
- 2 Piece High Pressure Replaceable Gas Valve
- C-1018 and 4130 or 4140 Components
- 2" NPT Female Fluid Port
- Buna-Nitrile Rubber Components

Optional Configuration (at extra cost)

- Resin Coatings, Internal (WS)
- Electroless Nickel Plating, Internal & External (SS)
- Resin Coating – ID, 3 Part Marine Epoxy Paint – OD (XS)
- Stainless Steel Components
- Foreign and Domestic Codes
- Call Factory for Other Options

Dimensions ⁵		
Part Number	Length	Weight
A2.56100	22"	118 lbs
A56100	34"	198 lbs
A106100	55"	308 lbs
A156100	79"	468 lbs

Oil Port Options	
Fluid Port Type	Designation
2" NPT Female	None
1 1/4" NPT Female	-1
Metric Female	-2
1 1/8"-12 SAE Female	-3
Code 62, 1 1/2" SAE Split Flange	-4
BSP Female	-7
Other	Call
Special Materials	Call

¹ OS-Oil Service, WS- Water Service, SS-Special Service, XS-Extreme Service

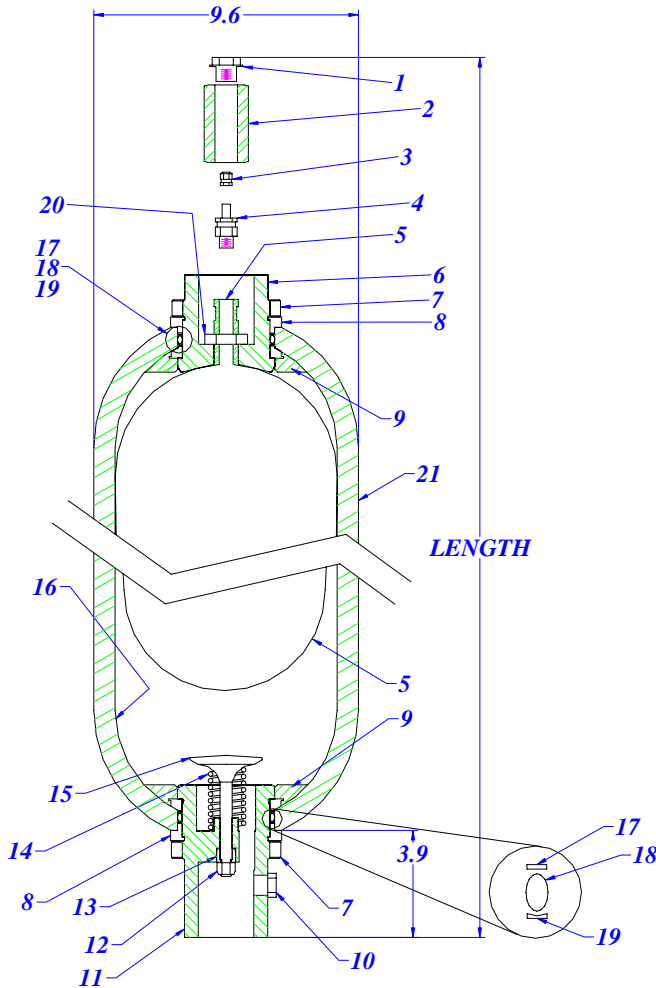
² Special service accumulator uses a solid protective cap

³ Insert the size of the accumulator for X, i.e. AI-2.5-6-3KT for a 2.5 gallon bladder kit. Bladder kit consists of the following parts: 3, 4, 5, 19, 20, and 21

⁴ See Oil Port Configuration for options

⁵ Nominal dimensions. Manufacturing variations will occur. Allow +/- .2".

2.5-15 Gallon 6000 psi (App 22) Top Repairable Accumulators



List of Component Parts		Alternate Service ¹			
Description	Part Number (OS)	WS	SS	XS	
1	Safety Cap	AI-S-308		N/A ²	N/A ²
1	Safety Cap O-Ring	AI-S-309		N/A ²	N/A ²
2	Protective Cap	AI-S-306-1	-SS	-4SS	-4SS
3	Valve Cap	AI-S-303			
4	High Pressure Gas Valve	AI-S6-309			
4	High Pressure Gas Valve O-Ring	AI-S6-310			
5	Bladder Kit ³				
	Buna-Nitrile	AI-X-6-3KT	-SS	-SS	
	Butyl	AI-X-6-3KT-B	-SS	-SS	
	EPR	AI-X-6-3KT-E	-SS	-SS	
	Fluorocarbon	AI-X-6-3KT-V	-SS	-SS	
	Hydrin	AI-X-6-3KT-H	-SS	-SS	
	Low Temp Buna	AI-X-6-3KT-L	-SS	-SS	
6	Top Load Adapter	AI-TR6-208	-WS	-SS	-SS
7	Locknut, Qty 2	AI-S-403	-WS	-SS	-SS
8	Spacer, Qty 2	AI-S6-406	-WS	-SS	-SS
9	Anti-Extrusion Ring, Qty 2				
	Buna-Nitrile	AI-S-407	-WS	-WS	-WS
	EPDM	AI-S-407-E	-WS	-WS	-WS
	Fluorocarbon	AI-S-407-V	-WS	-WS	-WS
10	Bleed Plug				
	1/4" NPT	AI-S-418	-SS	-SS	-SS
	7/16"-20 SAE	AI-S-419	-SS	-SS	-SS
11	Oil Port ⁴	AI-S6-402	-WS	-SS	-SS
12	Stop Nut	AI-S-408	-SS	-SS	-SS
13	Piston	AI-S-405	-SS	-SS	-SS
14	Spring	AI-S6-409	-SS	-SS	-SS
15	Poppet	AI-S-404	-SS	-SS	-SS
16	Shell (6000 psi under App. 22)	Not for Sale	N/A	N/A	N/A
17	Metal Back-Up Ring, Qty 2	AI-S-412	-SS	-SS	-SS
18	O-Ring, Qty 2				
	Buna-Nitrile	AI-S-410			
	EPDM	AI-S-410-E			
	Fluorocarbon	AI-S-410-V			
19	Rubber Back-Up Ring, Qty 2	AI-S-411			
20	Hex Jam Nut	AI-S-305	-SS	-SS	-SS
21	Caution Label	AI-S-421			

Standard Configuration

- SA 372 Chrome-moly Steel Shell
- 2 Piece High Pressure Replaceable Gas Valve
- C-1018 and 4130 or 4140 Components
- 1 1/4" NPT Female Fluid Port
- Buna-Nitrile Rubber Components

Optional Configuration (at extra cost)

- Resin Coatings, Internal (WS)
- Electroless Nickel Plating, Internal & External (SS)
- Resin Coating – ID, 3 Part Marine Epoxy Paint – OD (XS)
- Stainless Steel Components
- Foreign and Domestic Codes
- Call Factory for Other Options

Dimensions ⁵		
Part Number	Length	Weight
A2.5TR6100	22"	120 lbs
A5TR6100	34"	200 lbs
A10TR6100	55"	310 lbs
A15TR6100	79"	470 lbs

Oil Port Options	
Fluid Port Type	Designation
1 1/4" NPT Female	None
Metric Female	-2
1 1/8"-12 SAE Female	-3
Code 62, 1 1/2" SAE Split Flange	-4
BSP Female	-7
Other	Call
Special Materials	Call

1 OS-Oil Service, WS- Water Service, SS-Special Service, XS-Extreme Service

2 Special service accumulator uses a solid protective cap

3 Insert the size of the accumulator for X, i.e. AI-2.5-3KT for a 2.5 gallon bladder kit. Bladder kit consists of the following parts: 4,5,18,19,20

4 See Oil Port Configuration for options

5 Nominal dimensions. Manufacturing variations will occur. Allow +/- .2".